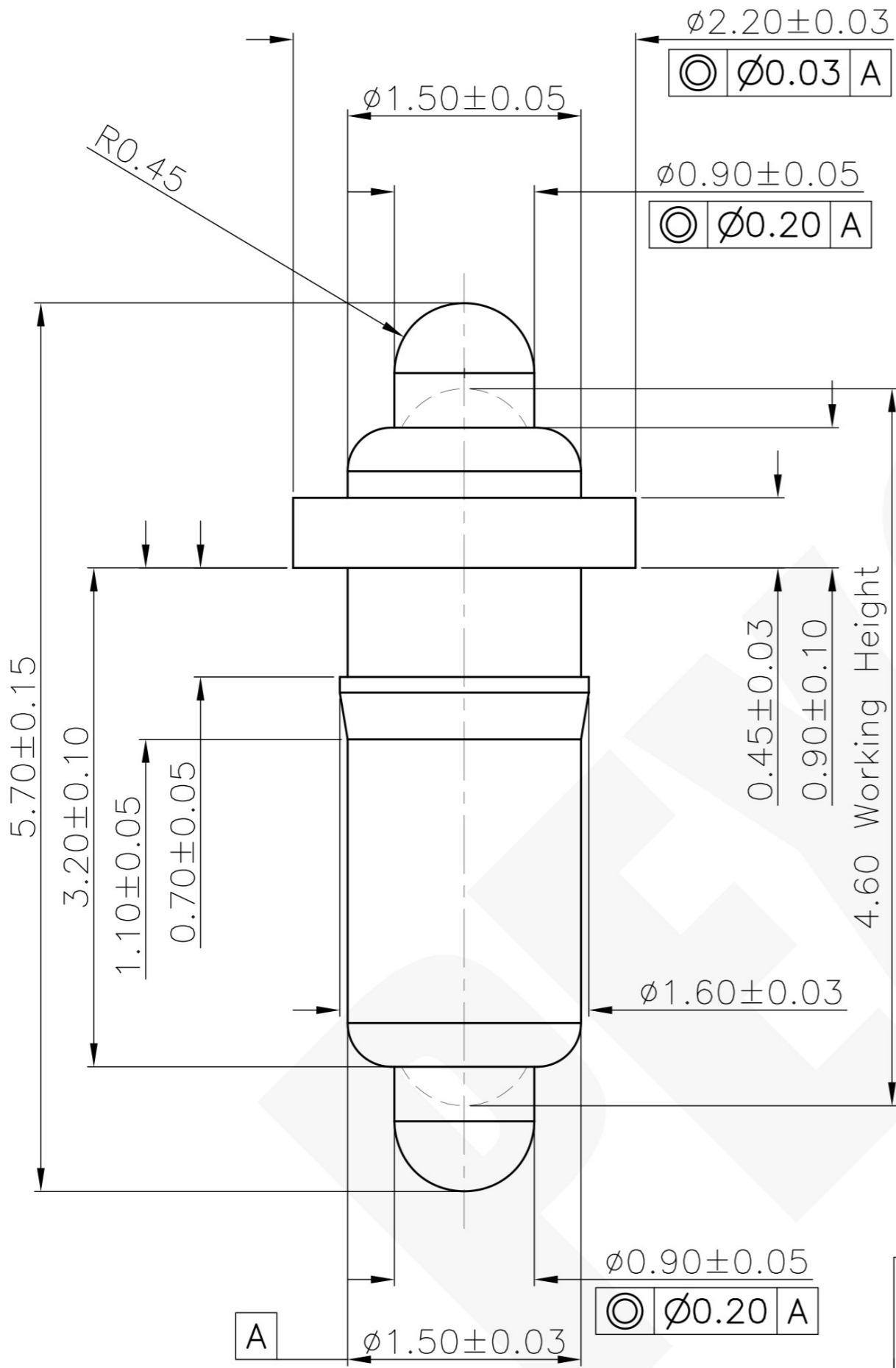


THIS INFORMATION IS CONFIDENTIAL AND IS DISCLOSED TO YOU ON CONDITION THAT NO FURTHER DISCLOSURE IS MADE BY YOU TO OTHER THAN PEXON PERSONNEL WITHOUT WRITTEN AUTHORIZATION FROM PEXON LTD.



Notes:

- 1 Dimensions shall be interpreted per ASME Y14.5M.
- 2 Mechanical performance(See the table 1)
 - <2.1>The force is the average of forces obtained when plunger goes downwards and upwards.
 - <2.2>Warning:Working height are not permitted to be less than Min working height.
- 3 Electrical performance
 - <3.1>Current rating: 1.5A
 - <3.2>Voltage rating: 36VAC/DC
 - <3.3>Dynamic Resistance:30mOhm Max. (between max and min working height)
- 4 Environmental performance
 - <4.1>RoHS compliant.
 - <4.2>Salt Spray:48h Min
 - <4.3>Operating Temperature range: -40°C~+85°C
 - <4.4>Withstanding Higt Temperature: 260°C/10Sec
- 5 Packaging: Bag

Working Height	4.60mm	80gf min.
Durability	10000 Cycles Min.	

Item	Part Name	Q'TY	Material	Finish
3	Body	1	Leaded Brass	Au plating 0.4um min Ni plating 1.4um min
2	Plunger	2	Leaded Brass	Au plating 0.4um min Ni plating 1.4um min
1	Spring	1	Stainless steel wire	-----

Top-Link Electronics Ltd.
 TOLERANCES UNLESS OTHER SPECIFIED
 0. = ± -
 0.0 = ± 0.15
 0.00 = ± 0.10
 0.000 = ± -
 Angle: ±1°
 SURF TEXTURE:
 REMOVE BURRS.
 BREAK SHARP EDGES
 R0.05 MAX.DO NOT SCALE PRINT.

Type	Customer drawing	Unit	mm	PEXON					
DWN:	Alan	APVD:							
CHK:		REL:							
NAME Pogo PIN									
Scale	1:1	Size	A4	Part NO.	C-20101011541	Page	1/1	Rev:	XA

XA	New Release	2016.08.20
Item	Revision record	Date



PEXON

E-mail: sale@pinconnector.com

WhatsApp: +86-13361867201

www.pinconnector.com