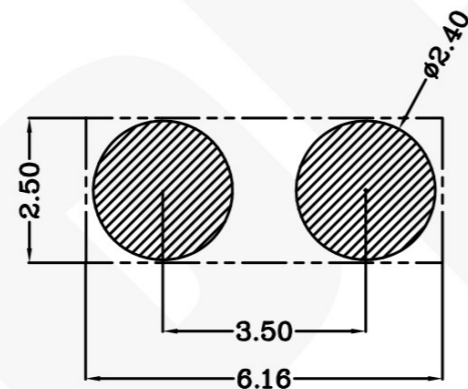
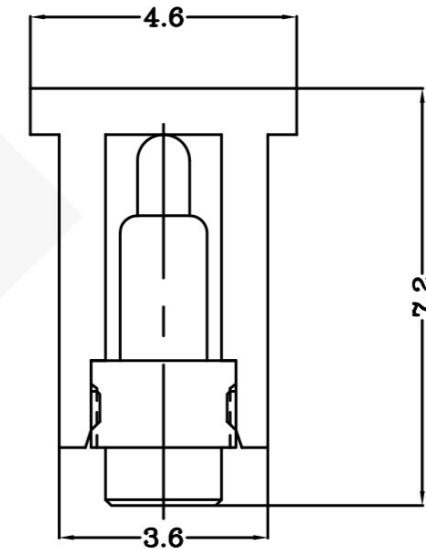
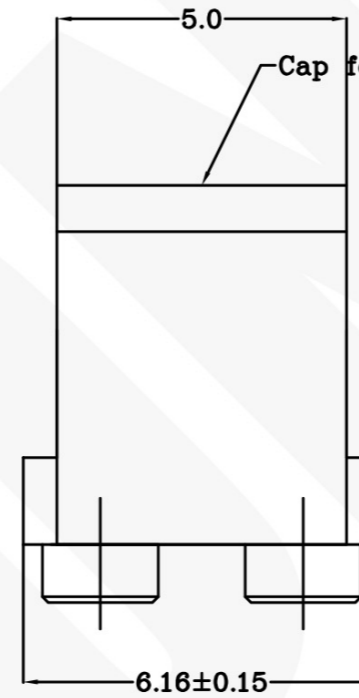
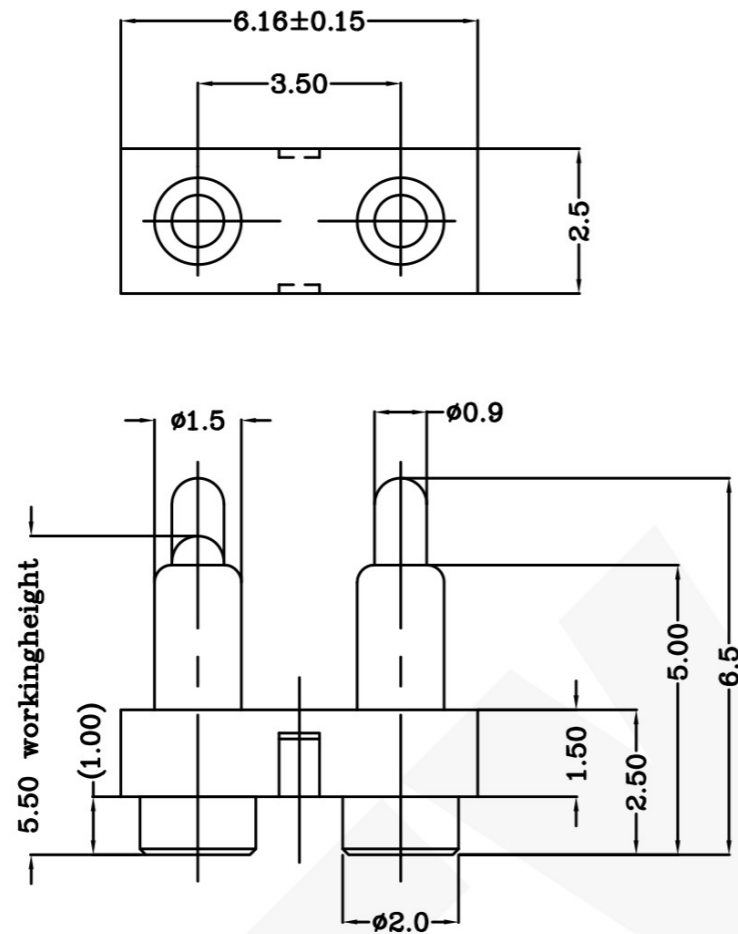


THIS INFORMATION IS CONFIDENTIAL AND IS DISCLOSED TO YOU ON CONDITION THAT NO FURTHER DISCLOSURE IS MADE BY YOU TO OTHER THAN PEXON PERSONNEL WITHOUT WRITTEN AUTHORIZATION FROM PEXON LTD.

DWG NO.
C-100022



USED ON
-



Recommended PCB Layout

Notes:

- 1 Material, Housing: PA 4.6 (30% Glass Filled)
Color Black.
Contact: Brass
- 2 Mechanical demands:
Full stroke: 1.4mm
Plating Plunger: 0.4um Au over 1.4um Ni
Plating Body: 0.1um Au over 1.4um Ni.

100022-2

PART NUMBER

DIMENSIONS IN MM
TOLERANCES UNLESS
OTHER SPECIFIED
0 = ±-
0.0 = ±0.15
0.00 = ±0.10
0.000 = ±
ANGLE: ±1°
SURF TEXTURE: 3.2/
REMOVE BURRS. BREAK
SHARP EDGES R0.05 MAX
DO NOT SCALE PRINT

MATL	△ 1	HT TR	-	FIN	- ✓
DWN		APVD		PEXON	
CHK		REL			
NAME POGO CONNECTOR 2 POSITIONS PGC-1.5-6.5-R-2P-3.5PH					
SCALE	1:1	A4	DWG NO. C-100022	SHEET 1 OF 1	REV B

LDC	-
DIST	-

	Update remark		2007/09/07
LTR	REVISION RECORD	APVD	DATE

4

3

2

1

D
C
B
A



PEXON

E-mail: sale@pinconnector.com

WhatsApp: +86-13361867201

www.pinconnector.com