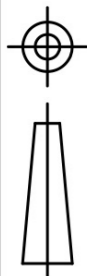
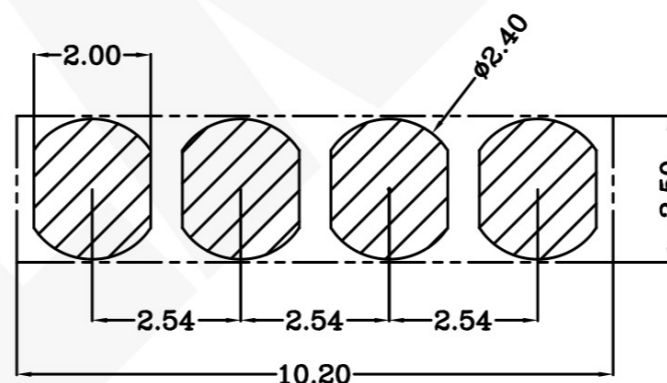
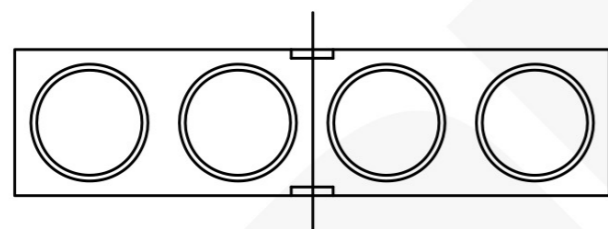
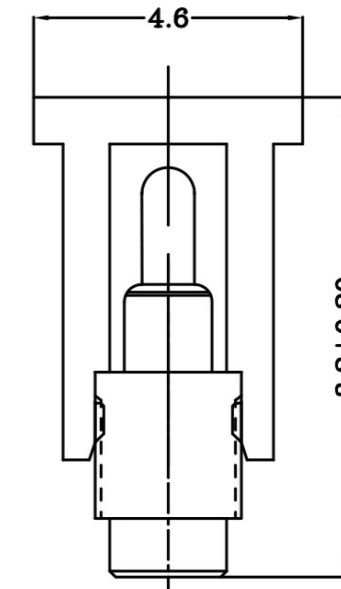
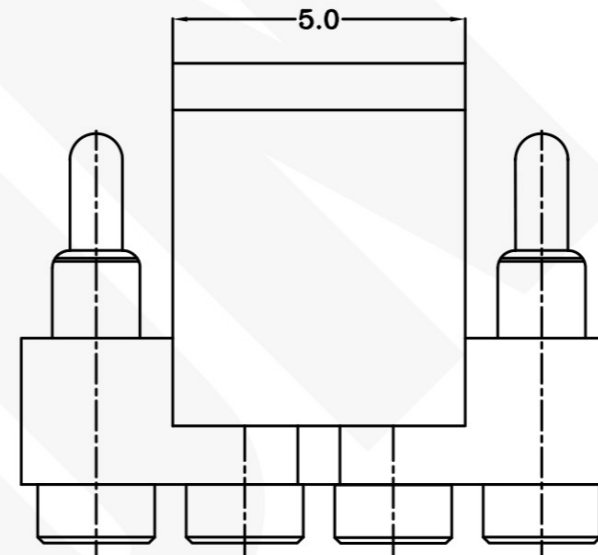
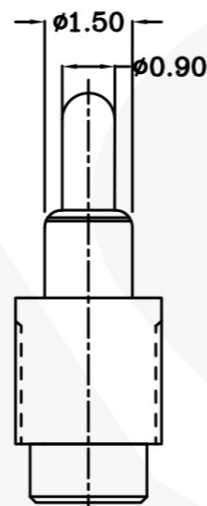
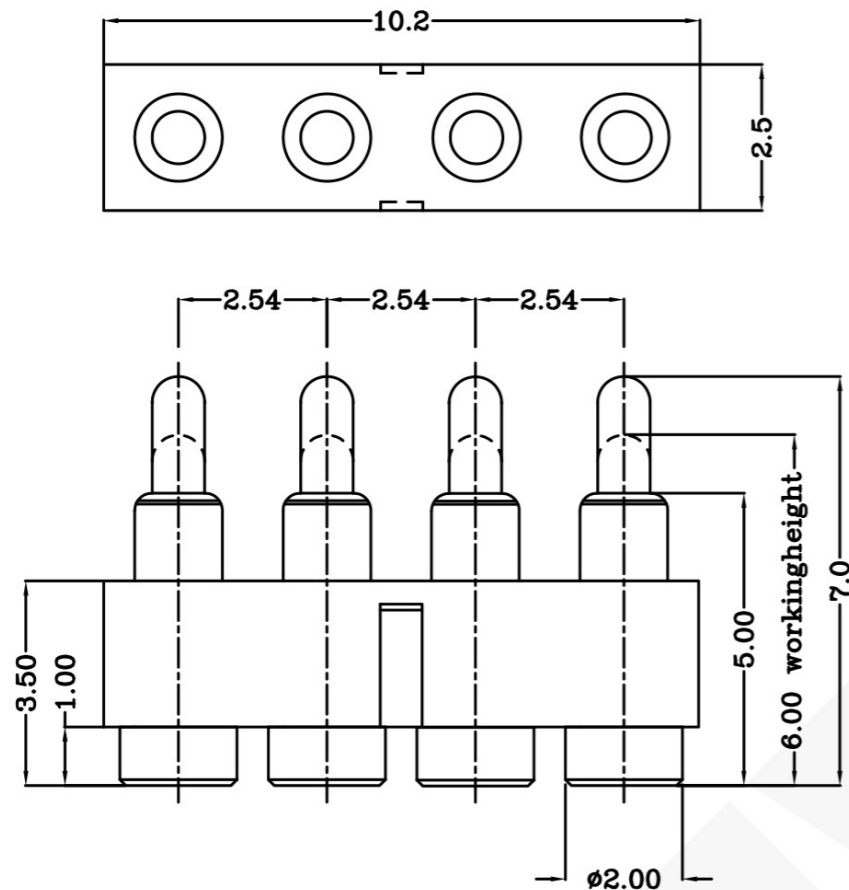


THIS INFORMATION IS CONFIDENTIAL AND IS DISCLOSED TO YOU ON CONDITION THAT NO FURTHER DISCLOSURE IS MADE BY YOU TO OTHER THAN PEXON PERSONNEL WITHOUT WRITTEN AUTHORIZATION FROM PEXON LTD.

DWG NO.
C-100225



USED ON
-



Recommended PCB Layout

- Notes:
 1 Material, Housing: PA 4.6 (30% Glass Filled)
 Color Black.
 Contact: Brass
 2 Mechanical demands:
 Plating Plunger: 0.4um Au over 1.4um Ni
 Plating Body: 0.1um Au over 1.4um Ni.
 Full stroke: 1.7mm

100225-4

PART NUMBER

DIMENSIONS IN MM
 TOLERANCES UNLESS
 OTHER SPECIFIED
 0 = ±
 0.0 = ±0.15
 0.00 = ± 0.10
 0.000 = ±
 ANGLE: ±1°
 SURF TEXTURE: 3.2/
 REMOVE BURRS, BREAK
 SHARP EDGES R0.05 MAX
 DO NOT SCALE PRINT

MATL	△ 1	HT TR	-	FIN	- ✓
DWN	Benny	APVD		Pexon	
CHK		REL			
NAME POGO CONNECTOR 4 POSITIONS PGC-1.5-7.0-R-4P-2.54PH					
SCALE	1:1	A4	DWG NO. C-100225	SHEET 1 OF 1	REV B

LDC	-
DIST	-

	更新		2010/05/11
	NEW		2007/11/16
LTR	REVISION RECORD	APVD	DATE

4

3

2

1

D

C

B

A



PEXON

E-mail: sale@pinconnector.com

WhatsApp: +86-13361867201

www.pinconnector.com