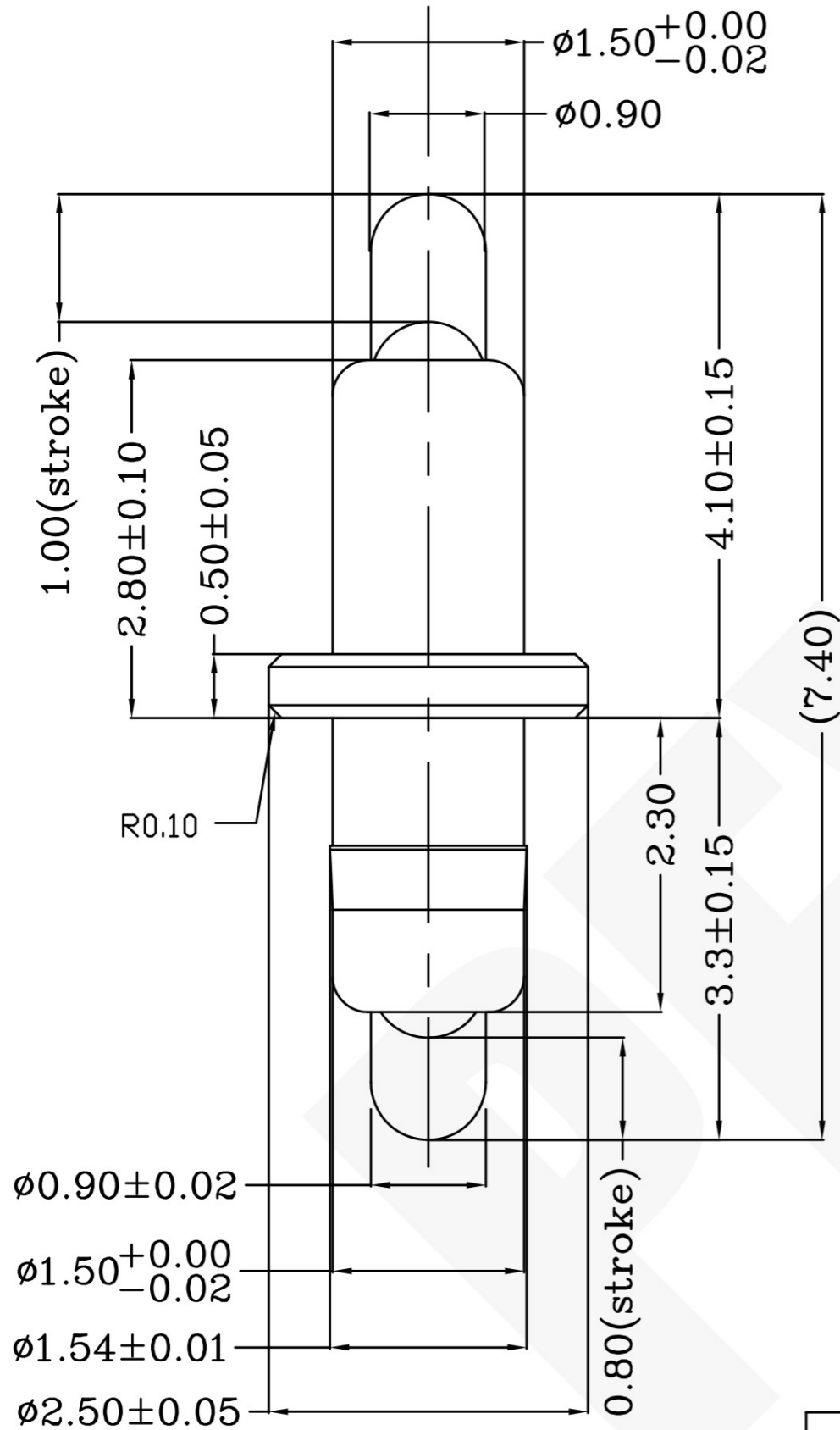


THIS INFORMATION IS CONFIDENTIAL AND IS DISCLOSED TO YOU ON CONDITION THAT NO FURTHER DISCLOSURE IS MADE BY YOU TO OTHER THAN PEXON PERSONNEL WITHOUT WRITTEN AUTHORIZATION FROM PEXON LTD.

DWG NO.  
C-101339



USED ON  
-



Notes:

① Material(材质):

- 1) Body : Brass
- 2) Plunge : Brass
- 3) Spring : Stainless steel wire

2 Plating(电镀):

- 1) Body: Min 0.1um Gold plating over min. 1.4um Nickel plating (Body: 镀金0.1um Min 镍底1.4um Min)
- 2) Plunger: Min 0.4um Gold plating over min. 1.4um Nickel plating (Plunger: 镀金0.4um Min 镍底1.4um Min)

3 Mechanical(机械性能):

- 1) Force:  $150 \pm 35$ gf per pin at 1.8mm stroke (力: 下压1.8mm的力:  $150 \pm 35$ gf)
- 2) Total stroke(总行程) : 1.2&1.0 mm
- 3) Durability(寿命): 10,000 cycle min.

4 Electrical(电性能)

- 1) Contact resistance(接触阻抗): 30mOhm Max.
- 2) Voltage rating(额定电压): 36V DC Max
- 3) Current rating(额定电流): 2.0A

101339-1

PART NUMBER

DIMENSIONS IN MM  
TOLERANCES UNLESS  
OTHER SPECIFIED  
0 = ±-  
0.0 = ±0.15  
0.00 = ±0.10  
0.000 = ±  
ANGLE: ±1°  
SURF TEXTURE: 3.2/  
REMOVE BURRS, BREAK  
SHARP EDGES R0.05 MAX  
DO NOT SCALE PRINT

MATL	①	HT TR	-	FIN	- ✓
DWN	Qln	APVD		<b>Pexon</b>	
CHK		REL			
NAME POGO PIN PG-1.5-2.8-3.8-1.5-2.8-4.1-2P					
SCALE	A4	DWG NO.	C-101339	SHEET	REV
1:1				1 OF 1	A1

	更新		11/03/08
	NEW		09/03/02
LTR	REVISION RECORD	APVD	DATE

LDC	-
DIST	-

4

3

2

1

D

C

B

A



**PEXON**

E-mail: [sale@pinconnector.com](mailto:sale@pinconnector.com)

WhatsApp: +86-13361867201

[www.pinconnector.com](http://www.pinconnector.com)